

# ***EDDY CURRENT***

## ***IC-Serie***



## ***Serie IC***

- ***Measurement ranges 0...2 mm, 2...5mm, 0...8mm***
- ***Output modes: analogue: 0...10 V, 4...20 mA,***
- ***Operating temperature: -10...+70°C***
- ***Unaffected of non-metallic media in the measurement room (e.g. water, oils, fouling, synthetics)***
- ***distance measurement on static and rotating objects***
- ***Measurement of unbalance and vibration***
- ***Contactless quality check in automation***

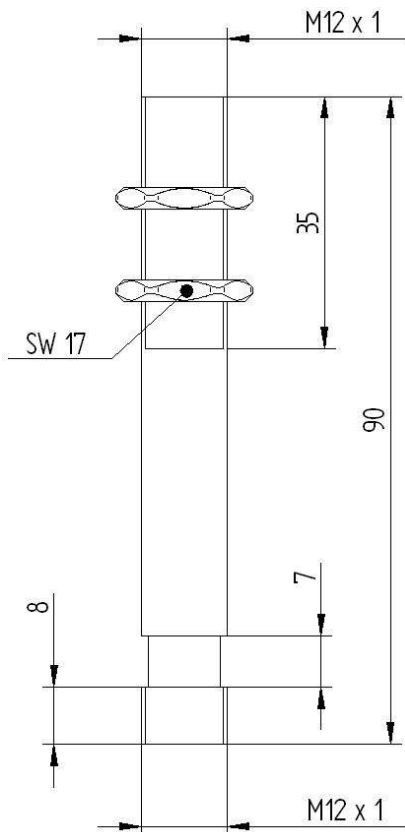
## Technical data

	IC12-02	IC18-08	IC18-08-V	IC2035-03	IC2035-03-V
Measurement range [mm] *	0..2 mm	0..8 mm	0..8 mm	2..5 mm	2..5 mm
Supply	12..30 Vdc	15..30 Vdc	15..30 Vdc	15..30 Vdc	15..30 Vdc
Power supply	20 mA	40 mA	20 mA	35 mA	20 mA
Output signal	0..20 mA	4..20 mA	0..10 Vdc	4..20 mA	1..9 Vdc
Response time	< 2 ms	< 2 ms	< 2 ms	< 5 ms	< 5 ms
Load resistance Vs min / Vs max	<100/330 Ω	<330/1000 Ω	> 1000 Ω	<500/1000 Ω	> 1000 Ω
Reverse polarity / short circuit prot.	yes/yes				
Linearity error	± 60 μm	± 400 μm	± 400 μm	± 100 μm	± 100 μm
Repeat accuracy	< 5 μm	< 15 μm	< 15 μm	< 10 μm	< 10 μm
Temperature drift	± 2 % FS **	± 5 % FS	± 5 % FS	± 4 % FS	± 4 % FS
Operating temperature	0..+60°C	-10..+70°C	-10..+70°C	0..+60°C	0..+60°C
Housing material	Stahl 9 Smn	Messing vernickelt			
Protection class	IP67				

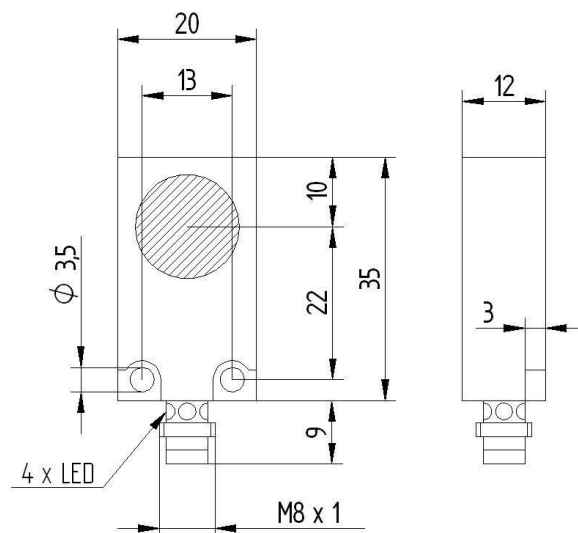
\*\*based on the entire range

## Technical drawings

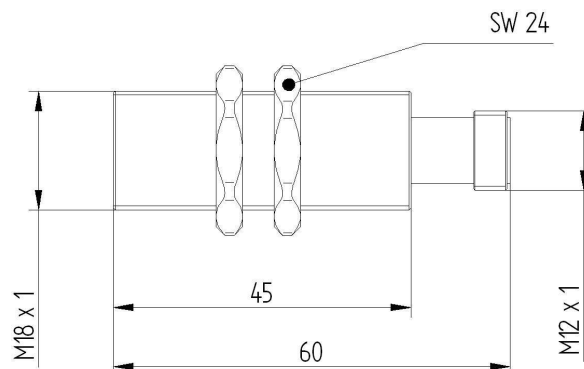
IC12-02



IC2035-03

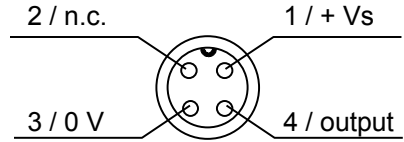
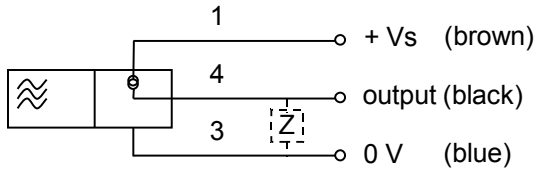


IC18-08



# 上海江晶翔电子有限公司

## Wiring diagram



IC12-02

IC18-08

IC18-08-V

IC2035-03

IC2035-03-V

### Accessories IC12-02 und IC18-08

K4P2M-S-M12      4-pole with (straight) inkl. 2m

K4P5M-S-M12      4-pole with (straight) inkl. 2m

### Accessories IC2035-03

K3P2M-S-M8      3-pole with (straight) inkl. 2m

K3P5M-S-M8      3-pole with (straight) inkl. 2m